

DPC300 Technical Specification

Standard pump material specification							Bearing Details			
Pump Casing / Separation Tank	Impeller	Wear Plates	Shaft	Engine Adaptor	NRV Body	Ball & Seat	Mechanical Seal	Pump End Bearing	Drive End Bearing	Priming Method
Cast Iron to BS1452 Grade 220	Cast Steel BS3100 1976GRBW 4 Hardened to 200 HB Brinell	Cast Iron to BS1452 Grade 220	Carbon Steel BS 970-3:1991 080M40	Cast Iron to BS1452 Grade 220	Cast Iron	High Nitrile Rubber	Silicon Carbide vs Silicon Carbide	Roller	Ball	Air compressor / Dri-Prime system
Notes: Alternative material specification available on request										

Technical Details:

Suction:	300mm table 'D'	Maximum Operating Temperature	80 °C
Discharge:	300mm table 'D'	Maximum Working Pressure	3.5 Bar
Maximum Capacity	1150 M3/hr	Maximum Suction Pressure	2 Bar
Maximum Head	35 Meters	Maximum Test Pressure	4.1 Bar
Maximum Solids handling:	95 mm	Maximum Operating Speed	1200 RPM
Impeller Type	Open type	Normal Operating Speed	1000 RPM
Number of Blades	4	Minimum Operating Speed	900 RPM
Maximum Impeller Diameter	430 mm	Standard compressor absorbs	8kw KW

Diesel Set - Performance :

Perkins 1104C-44TA 82kw @ 2000RPM

Total Suction Head - Meters	Total Delivery Head				
	6	9	12	15	18
	Output M3/hr				
3.0	1000	890	860	760	720
4.6	995	860	820	720	200
6.1	890	830	770	560	-
7.6	570	550	450	140	-

Impeller Dia: 430 mm

Performance data provided in tables is based on water tests at sea level and 20 deg c ambient.

To obtain above performance, pump is driven through a 2:1 reduction gearbox. Engine speed 2000RPM, Pump speed 1000RPM

Running Period :	Hours	Normal Operating speed
Fuel tank capacity	370 Litres	
Approximate weight	2400 Kgs (DRY)	
	2702 Kgs (WET)	

Approximate Dimensions:

Length	3200 mm
Width	1425 mm
Height	1865 mm

Diesel Set - Performance :

Perkins 1106C-60TA 106kw @ 2200RPM

Total Suction Head - Meters	Total Delivery Head				
	6	9	12	15	18
	Output M3/hr				
3.0	1100	1080	95	905	800
4.6	1090	1050	940	800	780
6.1	900	860	840	700	680
7.6	580	560	470	400	300

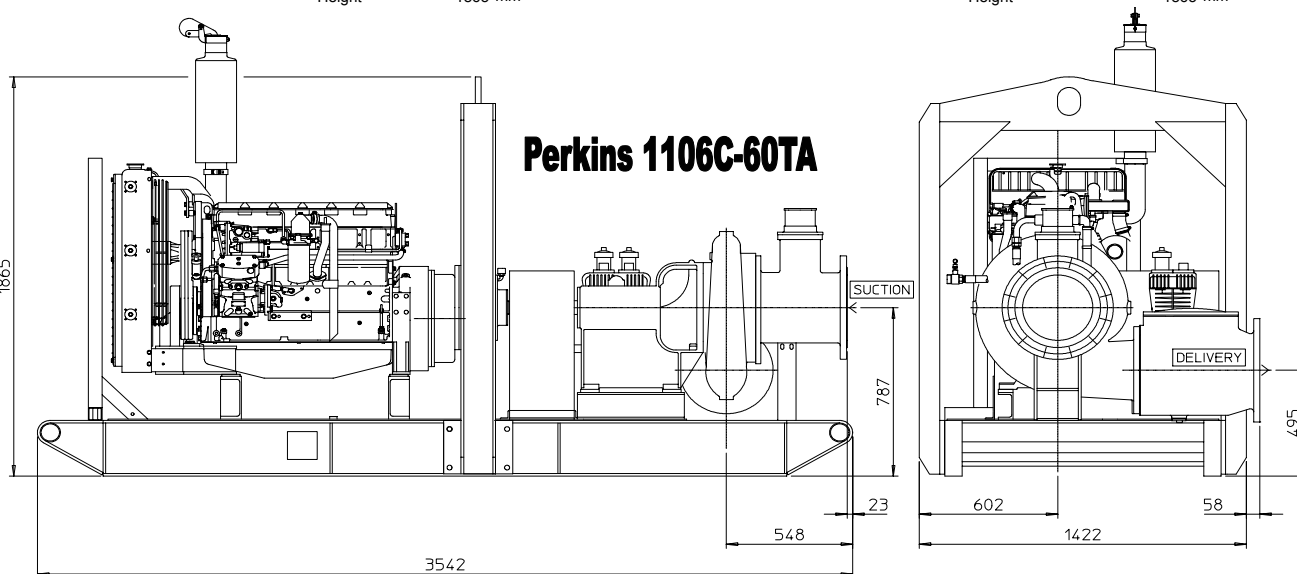
Impeller Dia: 430 mm

Performance data provided in tables is based on water tests at sea level and 20 deg c ambient.

Running Period :	Hours	Normal Operating speed
Fuel tank capacity	370 Litres	
Approximate weight	2500 Kgs (DRY)	
	2802 Kgs (WET)	

Approximate Dimensions:

Length	3550 mm
Width	1425 mm
Height	1865 mm



Alternative options available, Please Contact Godwin Pumps Ltd for details.

Reference Number	DPC300_A
Issue	2

Godwin Pumps Limited
 Quenington, Cirencester,
 Gloucestershire GL7 5BX, England
 Tel: 01285 750271 Fax: 01285 750352
 E-mail: sales@godwinpumps.co.uk
 Web Site www.godwinpumps.co.uk



Assessed to ISO 9001:2000
 Certificate No. 224





Pump Type	DPC300
Curve No	DPC300-VAR-10/06/04
Branch Sizes	300 X 300mm
Date	10/06/04
Speed	VARIABLE

