

HL8M Technical Specification

Standard pump material specification

| Pump Casing / Separation Tank | Impeller | Wear Plates | Shaft | Engine Adaptor | NRV Body | Ball & Seat | Mechanical Seal | Pump End Bearing | Drive End Bearing | Priming Method |
|--|---|--|---|-------------------------------|-----------|---------------------|------------------------------------|------------------|-------------------|-----------------------------------|
| Cast Iron to BS1452 Grade 220 | Cast Steel BS3100 A5 Hardness to 200 HB Brinell | Cast Iron - Chrome 1.0/1.5%, Nickle 2% | Nickel Chrome Steel to BS 970 Grade M40 EN241 | Cast Iron to BS1452 Grade 220 | Cast Iron | High Nitrile Rubber | Silicon Carbide vs Silicon Carbide | Roller | Roller | Air compressor / Dri-Prime system |
| Notes: Alternative material specification available on request | | | | | | | | | | |

Bearing Details

Technical Details:

| | | | |
|----------------------------------|-----------------------|--------------------------------------|----------|
| Suction: | 250mm (10") Table 'D' | Maximum Operating Temperature | 80 °C |
| Discharge: | 200mm PN16 | Maximum Working Pressure | 10 Bar |
| Maximum Capacity | 850 M3/hr | Maximum Suction Pressure | 4.13 Bar |
| Maximum Head | 97 Meters | Maximum Test Pressure | 15 Bar |
| Maximum Solids handling: | 75 mm | Maximum Operating Speed | 1800 RPM |
| Impeller Type | Fully open | Normal Operating Speed | 1700 RPM |
| Number of Blades | 3 | Minimum Operating Speed | 1200 RPM |
| Maximum Impeller Diameter | 430 mm | Standard compressor absorbs | 3.5 KW |

Diesel Set - Performance :

| Volvo | | TD1240VE-275 | | 265kw @ 1800RPM | |
|-----------------------------|-----|--------------|-----|-----------------|-----|
| Total Delivery Head | | | | | |
| Total Suction Head - Meters | 70 | 75 | 80 | 85 | 90 |
| Output M3/hr | | | | | |
| 3.0 | 770 | 700 | 605 | 550 | 0 |
| 4.6 | 720 | 650 | 600 | 500 | 370 |
| 6.1 | 625 | 600 | 580 | 490 | 300 |
| 7.6 | 460 | 420 | 400 | 390 | -- |

Impeller Dia: 430 mm

Performance data provided in tables is based on water tests at sea level and 20 deg c ambient.

| | | |
|--------------------|----------------|------------------------|
| Running Period : | 11 Hours | Normal Operating speed |
| Fuel tank capacity | 730 Litres | |
| Approximate weight | 4130 Kgs (DRY) | |
| | 4726 Kgs (WET) | |

| | | |
|--------------------------------|--------|---------|
| Approximate Dimensions: | Length | 4760 mm |
| | Width | 1650 mm |
| | Height | 2375 mm |

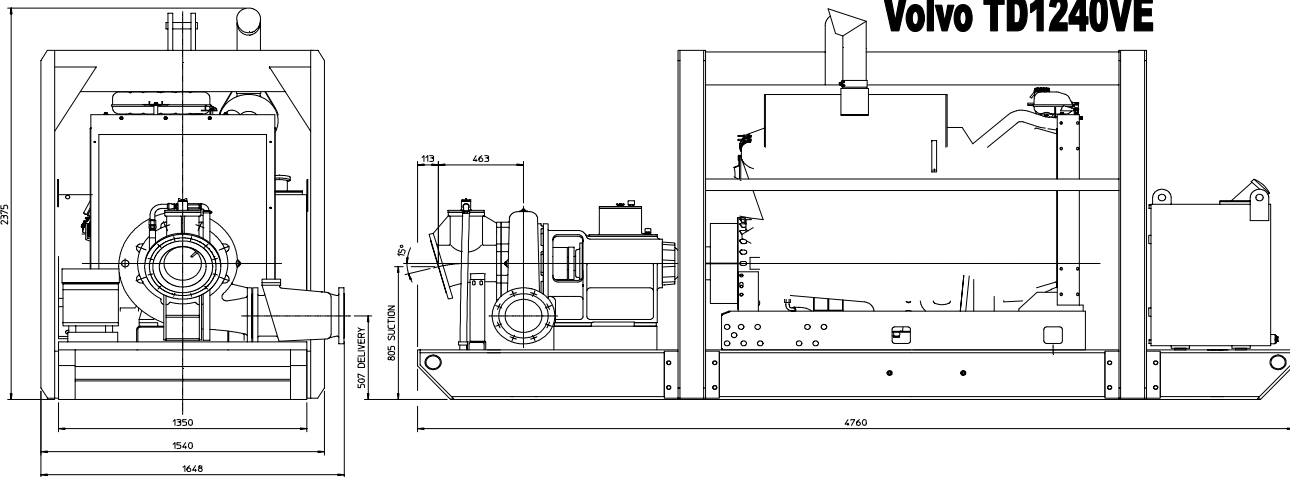
| Caterpillar | | C12 | | 277kw @ 1800RPM | |
|---------------------------|-----|-----|-----|-----------------|-----|
| Total Delivery Head | | | | | |
| Total Suction Head - Feet | 70 | 75 | 80 | 85 | 90 |
| Output GPM | | | | | |
| 3.0 | 770 | 700 | 605 | 550 | 0 |
| 4.6 | 720 | 650 | 600 | 500 | 370 |
| 6.1 | 625 | 600 | 580 | 490 | 300 |
| 7.6 | 460 | 420 | 400 | 390 | -- |

Impeller Dia: 0 mm

Performance data provided in tables is based on water tests at sea level and 20 deg c ambient.

| | | |
|--------------------|----------------|------------------------|
| Running Period : | 10 Hours | Normal Operating speed |
| Fuel tank capacity | 730 Litres | |
| Approximate weight | 3725 Kgs (DRY) | |
| | 4321 Kgs (WET) | |

| | | |
|--------------------------------|--------|---------|
| Approximate Dimensions: | Length | 4760 mm |
| | Width | 1650 mm |
| | Height | 2375 mm |



Volvo TD1240VE

Alternative options available. Please Contact Godwin Pumps Ltd for details.

| | |
|------------------|--------|
| Reference Number | HL8M_A |
| Issue | 2 |

Godwin Pumps Limited
 Quenington, Cirencester,
 Gloucestershire GL7 5BX, England
 Tel: 01285 750271 Fax: 01285 750352
 E-mail: sales@godwinpumps.co.uk
 Web Site www.godwinpumps.co.uk



Assessed to ISO 9001:2000
 Certificate No. 224





| | |
|--------------|-------------|
| Pump Type | HL8M |
| Curve No | HL8M VAR |
| Branch Sizes | 250 x 200mm |
| Date | 11.04.2005 |
| Speed | VARIABLE |

