

CD103M Technical Specification

Standard pump material specification

Pump Casing / Separation Tank	Impeller	Wear Plates	Shaft	Engine Adaptor	NRV Body	Ball & Flap	Mechanical Seal	Pump End Bearing	Drive End Bearing	Priming Method
Cast Iron to BS1452 Grade 220	Cast Steel BS3100 A5 200 HB Brinell	Cast Iron to BS1452 Grade 220	Nickel Chrome Steel to BS 970 Grade M40 EN24T	Cast Iron to BS1452 Grade 220	Cast Iron to BS1452 Grade 220	High Nitrile Rubber	Silicon Carbide vs Silicon Carbide Viton	Taper Roller	Taper Roller	Air compressor / Dri-Prime system
<i>Notes: Alternative material specification available on request</i>										

Bearing Details

Technical Details:

Suction:	100mm (4") BS10 Table D ASA 150	Maximum Operating Temperature	80 °C
Discharge:	100mm (4") BS10 Table D ASA 150	Maximum Working Pressure	4.4 Bar
Maximum Capacity	200 M3/hr	Maximum Suction Pressure	5 Bar
Maximum Head	44 Meters	Maximum Test Pressure	10 Bar
Maximum Solids handling:	75 mm	Maximum Operating Speed	2200 RPM
Impeller Type	Fully open	Normal Operating Speed	1800 RPM
Number of Blades	2	Minimum Operating Speed	1200 RPM
Maximum Impeller Diameter	256 mm	Standard compressor absorbs	3 KW

Diesel Set - Performance :

Perkins 404-22 22.7kw @ 1800RPM

Total Suction Head - Meters	Total Delivery Head				
	15	20	25	30	35
	Output M3/hr				
3.0	190	170	120	65	0
4.6	185	160	118	40	--
6.1	183	155	80	-	--
7.6	180	150	50	--	--

Impeller Dia: 256 mm

Performance data provided in tables is based on water tests at sea level and 20 deg c ambient.

Running Period :	22 Hours	Normal Operating speed
Fuel tank capacity	168 Litres	
Approximate weight	960 Kgs (DRY)	
	1097 Kgs (WET)	

Approximate Dimensions:

Length	1950 mm
Width	900 mm
Height	1315 mm

Diesel Set - Performance :

JOHN DEERE 4024T 31kw @ 2000RPM

Total Suction Head - Meters	Total Delivery Head				
	20	25	30	35	40
	Output M3/hr				
3.0	210	200	175	90	50
4.6	208	170	165	70	--
6.1	180	160	120	50	--
7.6	160	150	110	--	--

Impeller Dia: 256 mm

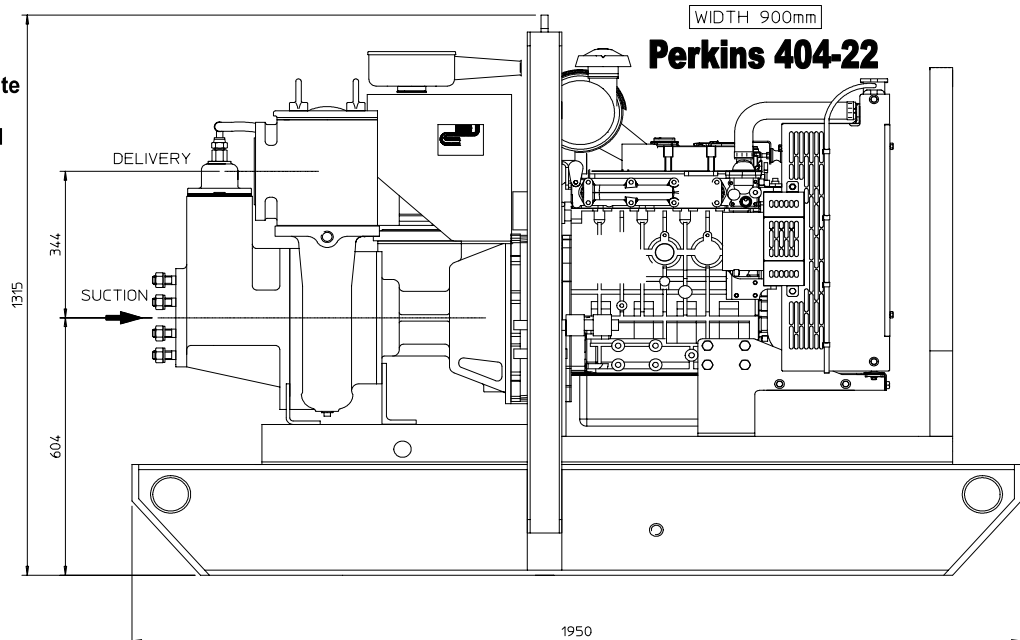
Performance data provided in tables is based on water tests at sea level and 20 deg c ambient.

Running Period :	22 Hours	Normal Operating speed
Fuel tank capacity	168 Litres	
Approximate weight	TBA Kgs (DRY)	
	TBA Kgs (WET)	

Approximate Dimensions:

Length	TBA mm
Width	TBA mm
Height	TBA mm

Alternative delivery volute positions available - Underslung or vertical



Alternative options available e.g. Highway trailer, Site Trolley, Silenced set etc. Please Contact **Godwin Pumps Ltd** for details.

Reference Number	CD103M_A
Issue	2

Godwin Pumps Limited
 Quenington, Cirencester,
 Gloucestershire GL7 5BX, England
 Tel: 01285 750271 Fax: 01285 750352
 E-mail: sales@godwinpumps.co.uk
 Web Site www.godwinpumps.co.uk



Assessed to ISO 9001:2000
 Certificate No. 224





Pump Type	CD103M
Curve No	CD103MVAR
Branch Sizes	100 x 100mm
Date	09.02.2004
Speed	VARIABLE

